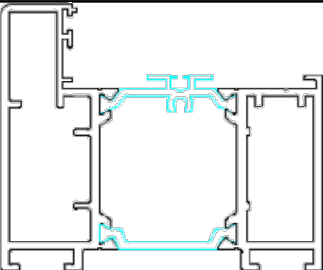
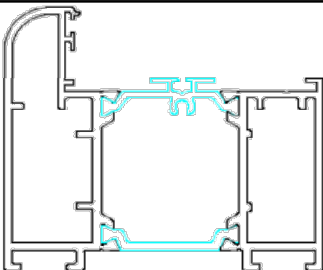
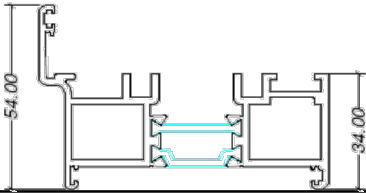
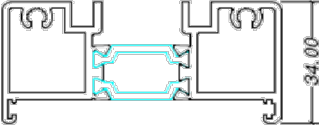
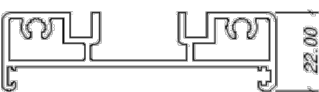


CUSTOMER: _____ DATE REQ: _____
 REFERENCE: _____ ORDER / QUOTE _____

COLOUR			
POWDER COAT FINISH	GLOSS / MATT / SATIN		
COLOUR MATCHED TRICKLE VENTS WILL BE PRICED PER ORDER / QUOTE - PLEASE NOTE COLOUR REQUIRED			
SKETCH YOUR REQUIREMENTS BELOW, ALL VIEWED FROM THE OUTSIDE, INDICATE TRICKLE VENT POSITION ON DRAWING			
DRAWING (Design/Configuration)	SIZE (mm)		
			WIDTH
			HEIGHT
	OPENING (PLEASE TICK)		
	INWARDS		
	OUTWARDS		
NOTES			

Leaf Options			
Square	Please Tick ✓	Softline (CDW Standard Profile)	Please Tick ✓
			
Threshold Options			Please Tick ✓
Thermally Broken <i>(Rebated)</i>			
Thermally Broken <i>(Low)</i>			
Non-Thermally Broken <i>(Low)</i> *Not Available In Dual Colour*			

TRICKLE VENT OPTIONS <i>** Head Packer Required **</i>			
NO TRICKLE VENT	/	1 (ONE)	/
	/	2 (TWO)	/
		3 (THREE)	


TRICKLE VENT COLOUR
WHITE / BLACK / GREY 7016 M / COLOUR MATCHED

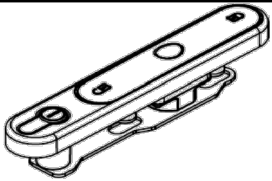
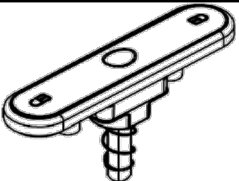
TRICKLE VENT EA
4000mm² / 8000mm²

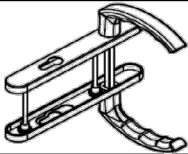
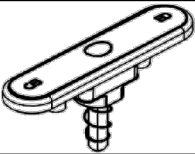
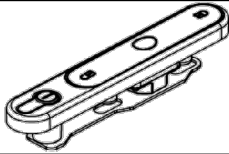
HEAD PACKER SIZE
20mm / 40mm

CILL OPTIONS			
NO CILL	/	150mm	/
	/	177mm	/
		190mm	

CILL HORNS			
YES	/	NO	
		LEFT	mm
		/	RIGHT
			mm

HINGES - Please Tick ✓		
	BLACK	
	WHITE	
	SILVER	

"T" HANDLE OPTIONS - Please Tick ✓	
LOCKING	NON-LOCKING
	

HANDLE COLOUR OPTIONS - Please Tick ✓			
			BLACK
			WHITE
			SILVER ANODISED
			CHROME

ANY ADDITIONAL INFORMATION
